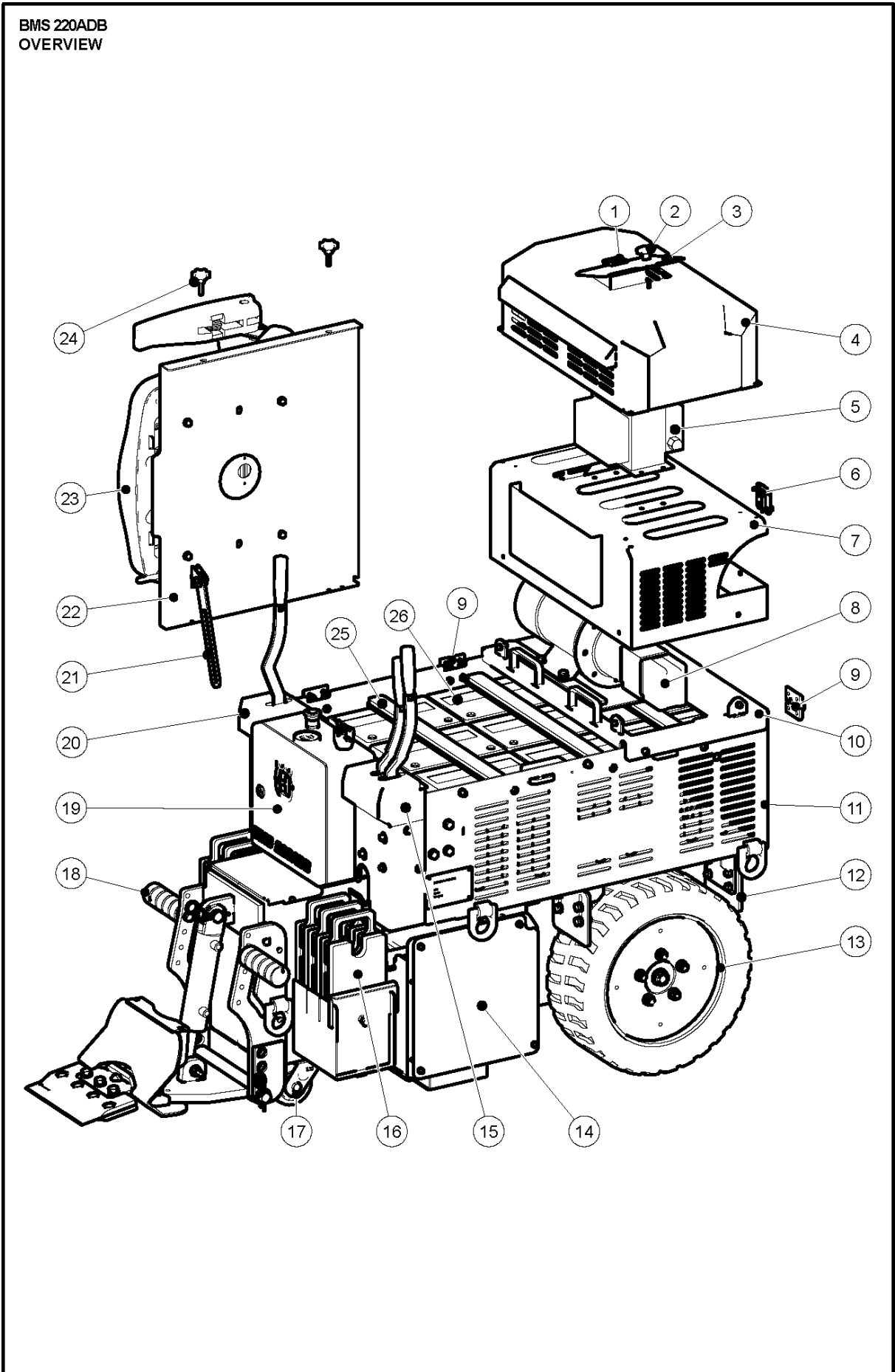




# SPARE PARTS LIST

SCRAPERS

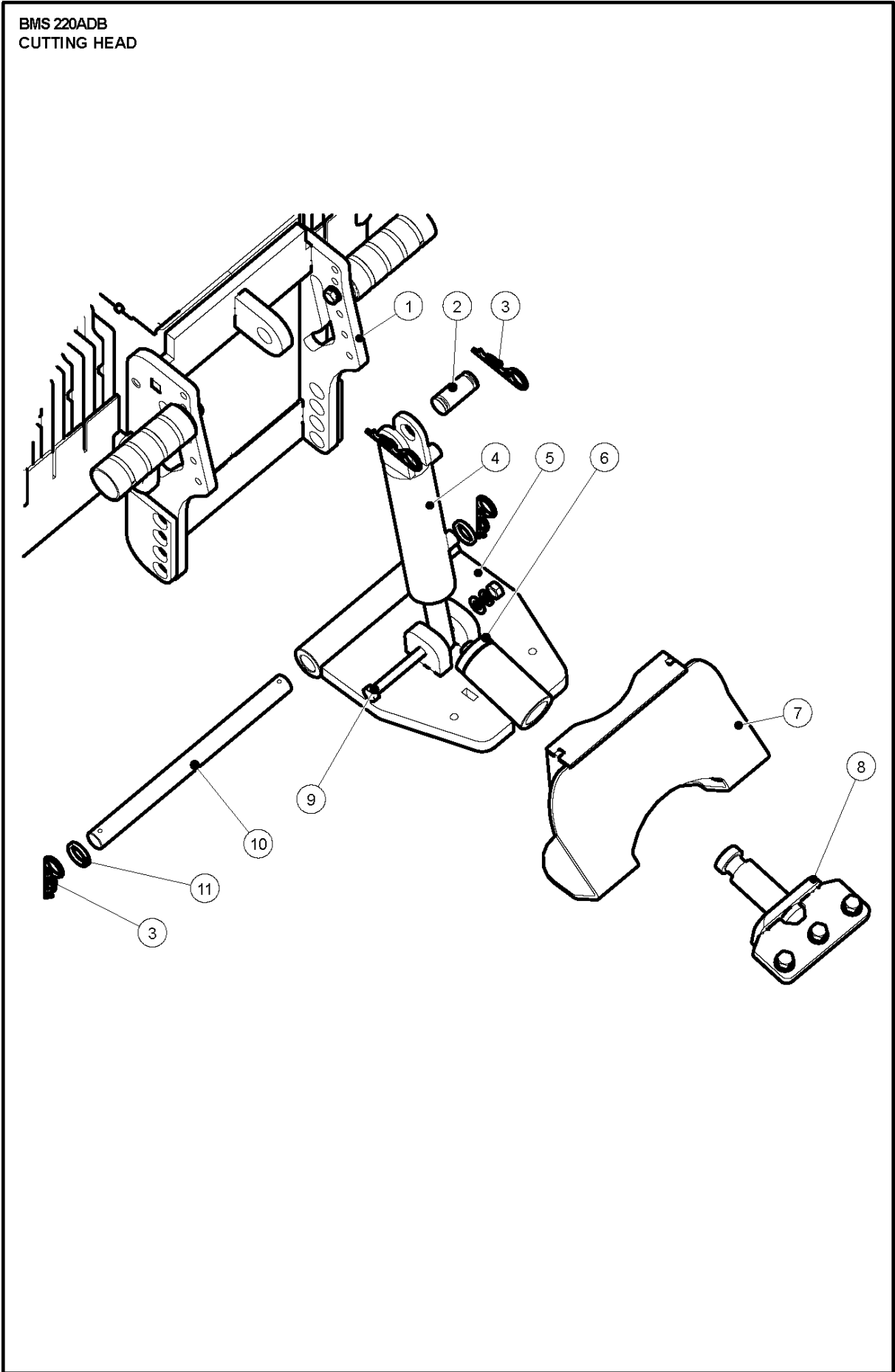
BMS 220ADB, 2022-04



## OVERVIEW

BMS 220ADB, 2022-04

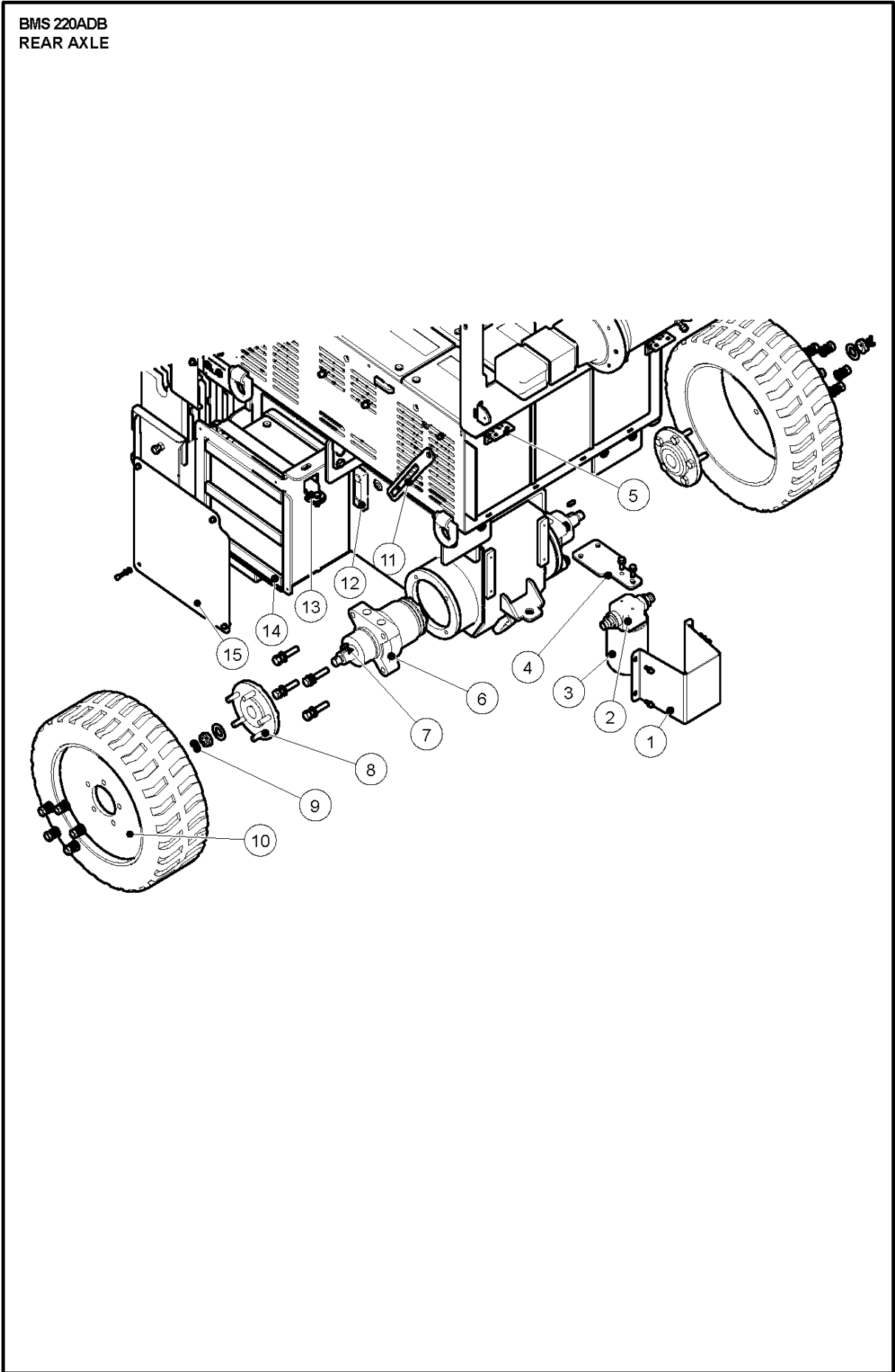
Ref	Part No	Description	Remark	QTY KIT
1	534 76 86-01	PLUG	PLUG	1
2	533 13 04-01	CHARGER	CHARGER	1
3	536938901	TBD	COVER	1
4	534 38 81-01	CHARGER	CHARGER	1
5	534 38 86-01	CHARGER	CHARGER	1
6	534 92 92-01	ISOLATOR	ISOLATOR	4
7	533 72 90-01	COVER	COVER	1
8	533 22 86-01	PLUG	PLUG	1
9	533 27 04-01	PUMP	PUMP	1
9	533 84 14-01	MOTOR	MOTOR	1
9	533 73 98-01	DRIVE MOTOR	DRIVE MOTOR	1
10	533 47 05-01	TUBE	TUBE	1
11	536938601	TBD	BATTERY BOX	1
12	535 23 61-01	SCRAPER	SCRAPER	4
13	533 76 89-01	REAR WHEEL	REAR WHEEL	2
14	536938801	TBD	COVER	2
15	535 24 61-01	COVER	COVER	1
16	533 43 70-01	WEIGHT	WEIGHT	6
17	533 45 41-01	SUPPORT	SUPPORT	2
18	533 29 84-01	WHEEL	WHEEL	1
19	531312601	TBD	COVER	1
20	533 74 47-01	COVER	COVER	1
21	533 60 10-01	HOLDER	HOLDER	3
22	533 40 13-01	BATTERY	BATTERY	12
23	533 44 48-01	PLATE	PLATE	1
24	533 42 07-01	HINGE	HINGE	4
25	534 91 14-01	COVER	COVER	1
26	533 92 50-01	SEAT	SEAT	1
26	533 24 69-01	ARM	ARM	1
26	533 41 19-01	SEAT	SEAT	1
26	536995901	TBD	SEAT	1
27	534 04 68-01	KNOB	KNOB	2
28	536996001	TBD	INDICATOR	1
29	534 95 38-01	HUB	HUB	1
30	535 62 31-01	CABLE	CABLE	1



## CUTTING HEAD

BMS 220ADB, 2022-04

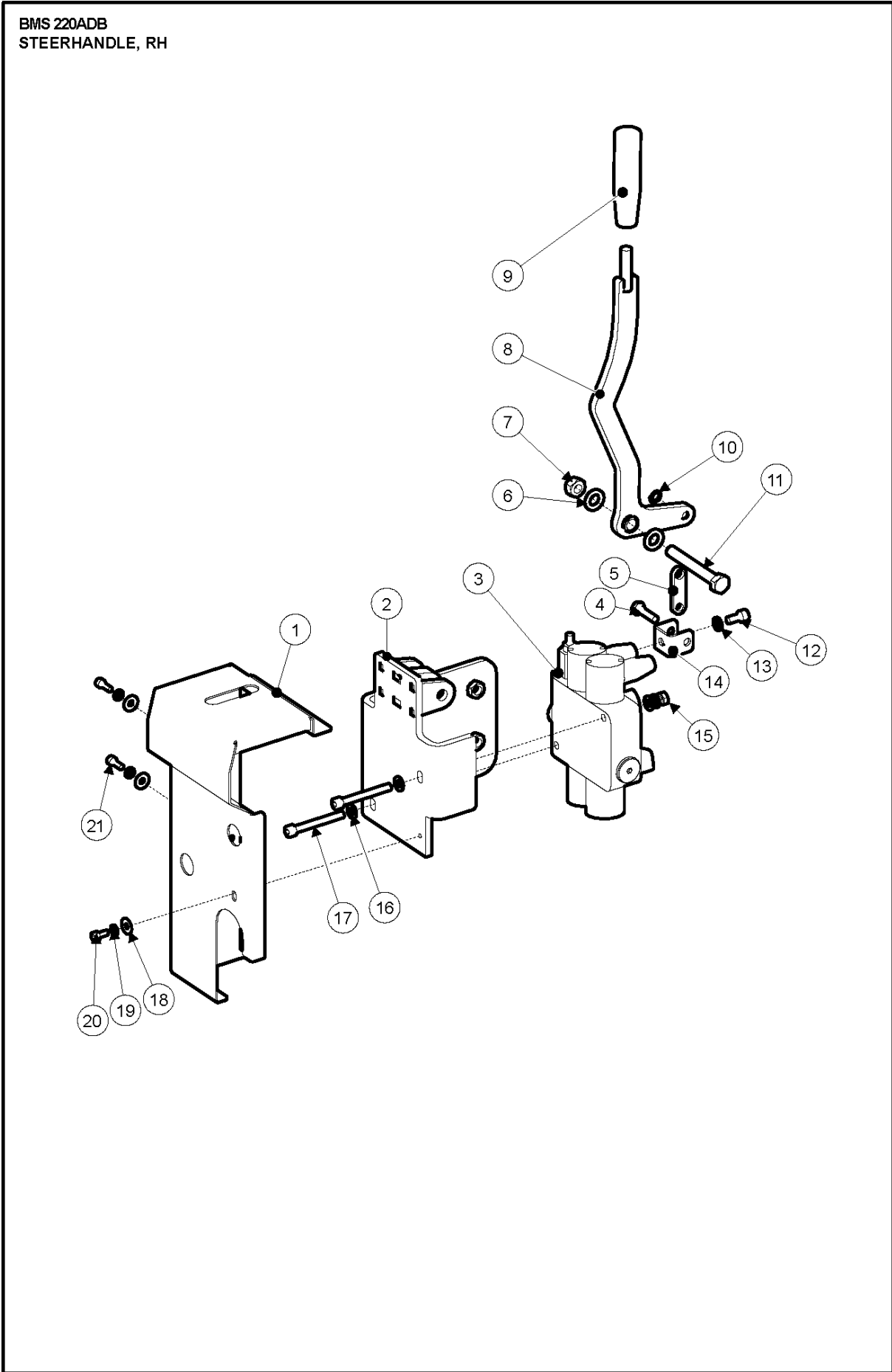
Ref	Part No	Description	Remark	QTY KIT
1	534 69 86-01	FRAME	FRAME	1
2	533 73 80-01	CYLINDER	CYLINDER	2
3	533 85 86-01	PIN	PIN	6
4	533 78 34-01	HYDRAULIC CYLINDER	HYDRAULIC CYLINDER	2
5	535 02 84-01	ADJUSTER	ADJUSTER	1
6	535 18 58-01	PLATE	PLATE	1
7	533 92 57-01	SUPPORT	SUPPORT	1
8	533 67 03-01	WASHER	WASHER	1
9	533 93 20-01	DEFLECTOR	DEFLECTOR	1
11	534 90 44-01	HOLDER	HOLDER	1
12	533 81 48-01	BOLT	BOLT	2
13	534 08 03-01	ROD	ROD	1
14	533 38 95-01	WASHER	WASHER	2
15	533 07 35-01	SCREW	SCREW	3
16	533 28 87-01	WASHER	WASHER	3
17	533 25 07-01	WASHER	WASHER	3
18	900 00 00-02	DUMMY PART	DUMMY PART	4
19	900 00 00-02	DUMMY PART	DUMMY PART	4



## REAR WHEEL

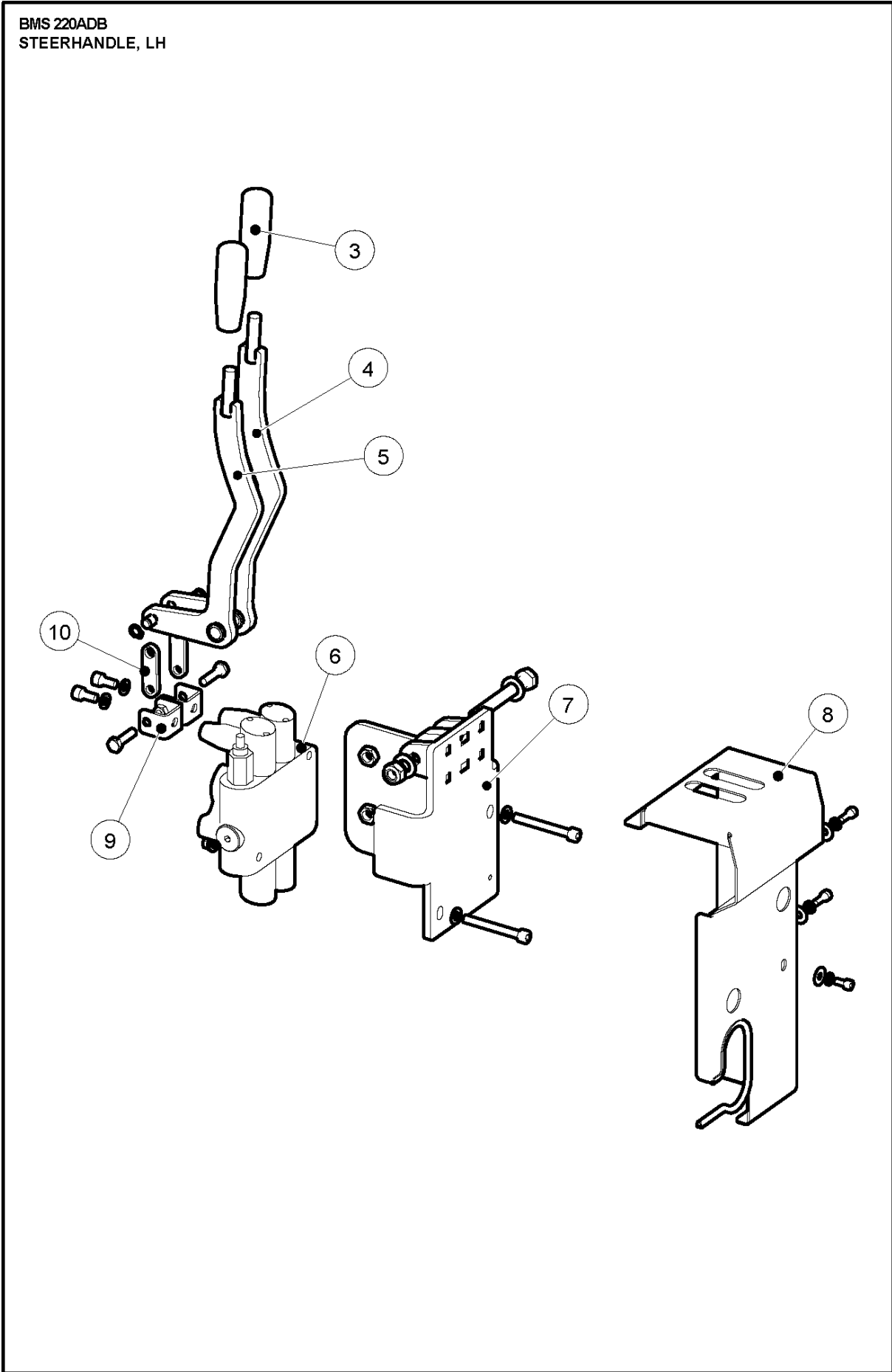
BMS 220ADB, 2022-04

Ref	Part No	Description	Remark	QTY KIT
1	536938701	TBD	FILTER COVER	1
2	533 29 98-01	FILTER	FILTER	1
3	533 39 48-01	FILTER	FILTER	1
4	533 13 13-01	BRACKET	BRACKET	1
5	533 42 07-01	HINGE	HINGE	2
6	533 28 07-01	WHEEL MOTOR	WHEEL MOTOR	2
7	533 80 17-01	KEY	KEY	2
8	533 19 06-01	WHEEL	WHEEL	2
9	534 73 68-01	NUT	NUT	2
10	533 76 89-01	REAR WHEEL	REAR WHEEL	1
11	533 39 20-01	HINGE	HINGE	1
12	533 87 28-01	GAUGE	GAUGE	1
13	533 55 00-01	HOLDER	HOLDER	2
14	536996201	TBD	SEAL	6
15	536938801	TBD	COVER	1
16	534 63 85-01	OIL	OIL	1





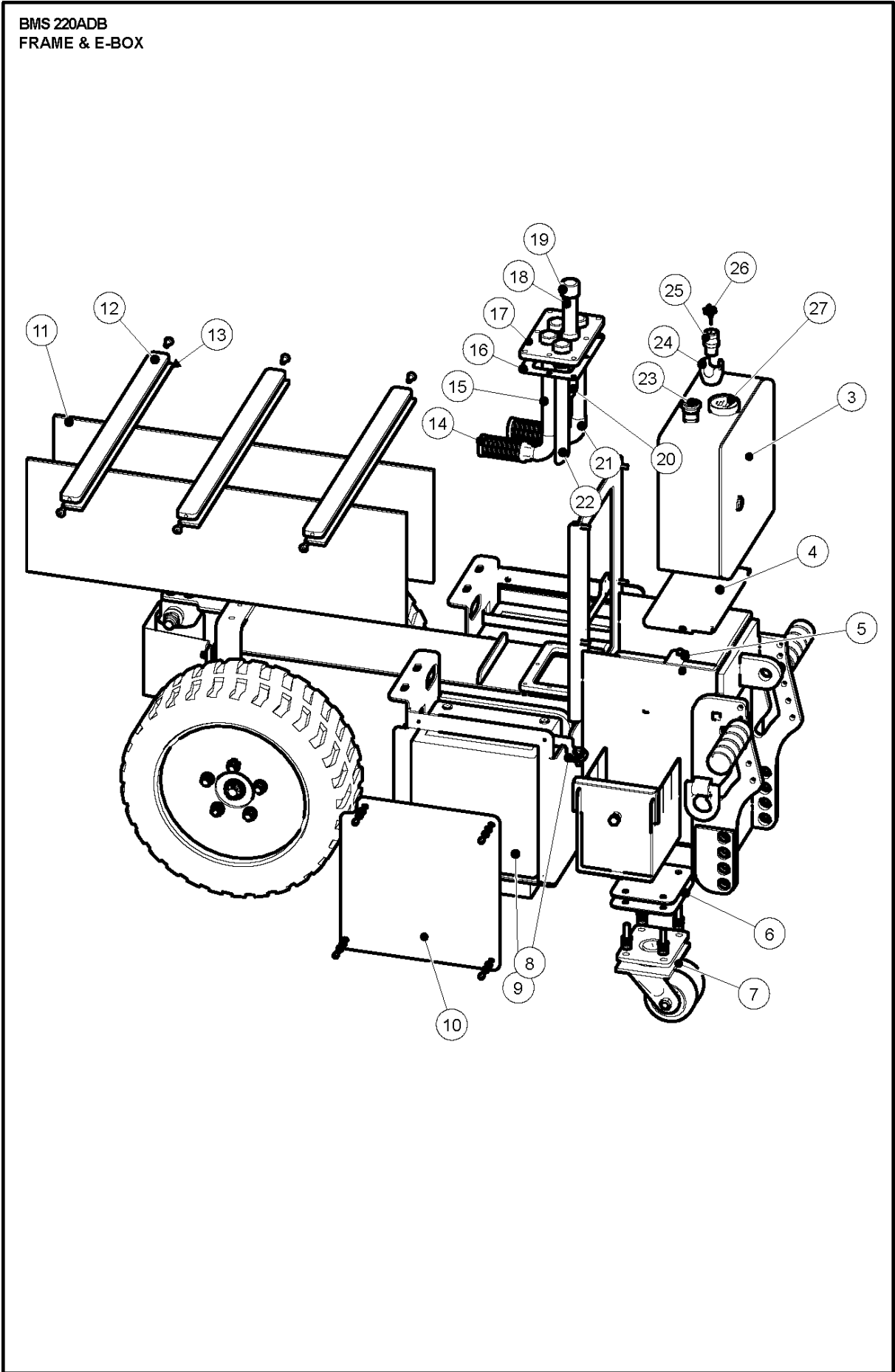
Ref	Part No	Description	Remark	QTY KIT
1	533 74 47-01	COVER	COVER	1
2	535 24 35-01	BRACKET	BRACKET	1
3	533 86 53-01	VALVE	VALVE	1
4	535 24 81-01	HANDLE	HANDLE	1
5	533 91 63-01	HANDLE GRIP	HANDLE GRIP	2
6	533 22 23-01	SPOOL	SPOOL	2
7	533 73 42-01	SPOOL	SPOOL	2
8	535 24 82-01	HANDLE	HANDLE	1



## HANDLE

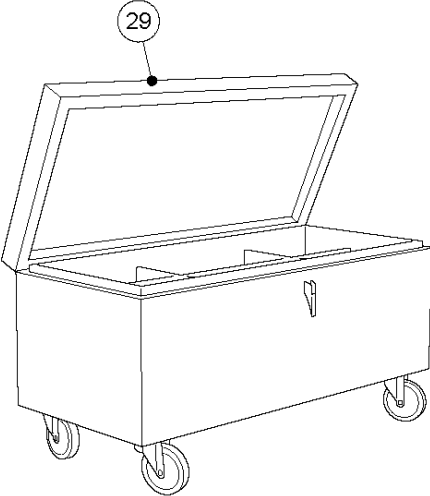
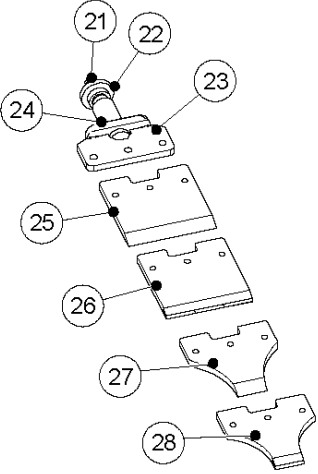
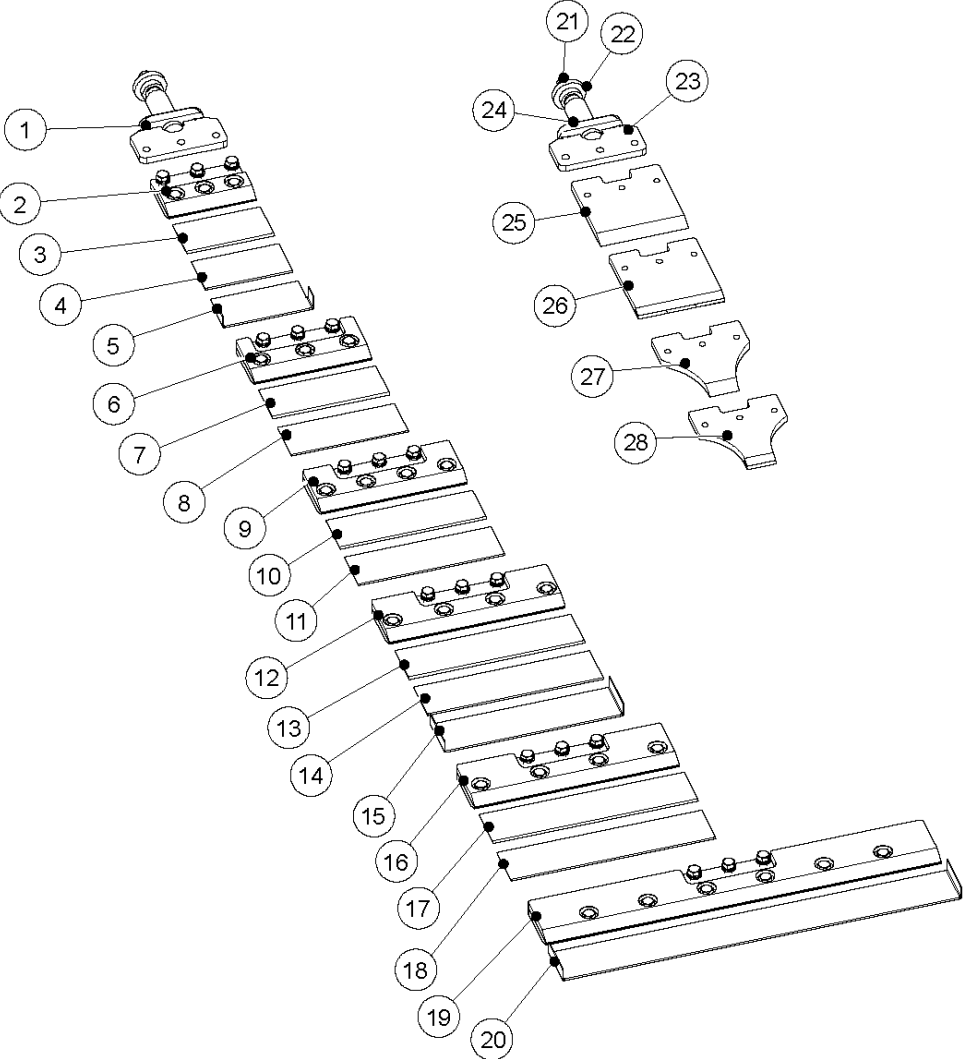
BMS 220ADB, 2022-04

Ref	Part No	Description	Remark	QTY KIT
3	533 91 63-01	HANDLE GRIP	HANDLE GRIP	2
4	533 36 92-01	HANDLE	HANDLE	1
5	533 02 65-01	HANDLE	HANDLE	1
6	533 86 53-01	VALVE	VALVE	1
7	535 16 56-01	BRACKET	BRACKET	1
8	535 24 61-01	COVER	COVER	1
9	533 73 42-01	SPOOL	SPOOL	2
10	533 22 23-01	SPOOL	SPOOL	2



Ref	Part No	Description	Remark	QTY KIT
3	535 36 43-01	ELECTRONIC BOX	ELECTRONIC BOX	1
4	535 18 41-01	FRONT COVER	FRONT COVER	1
5	533 88 65-01	HOLDER	HOLDER	1
6	533 34 31-01	SPACER	SPACER	2
7	533 29 84-01	WHEEL	WHEEL	1
8	533 55 00-01	HOLDER	HOLDER	1
9	533 40 13-01	BATTERY	BATTERY	12
10	536938801	TBD	COVER	1
11	534 31 02-01	SPACER	SPACER	2
12	533 60 10-01	HOLDER	HOLDER	3
13	536996501	TBD	HOLDER	3
14	534 73 48-01	FILTER	FILTER	2
15	536996601	TBD	FILTER	2
16	533 22 57-01	SEAL	SEAL	1
17	533 17 45-01	HOSE CONNECTOR	HOSE CONNECTOR	1
18	533 01 81-01	PIPE	PIPE	1
19	533 21 14-01	BUSH	BUSH	1
20	535 36 70-01	PIPE	PIPE	1
21	536996701	TBD	KNEE JOINT	2
22	535 36 05-01	PIPE	PIPE	2
23	534 03 12-01	STOP	STOP	1
24	533 69 66-01	IGNITION SWITCH	IGNITION SWITCH	1
25	533 76 86-01	IGNITION SWITCH	IGNITION SWITCH	1
26	533 81 44-01	KEY	KEY	1
27	534 06 45-01	INDICATOR	INDICATOR	1

**BMS 220ADB  
CHISELS, BLADES & BLADE HOLDERS**

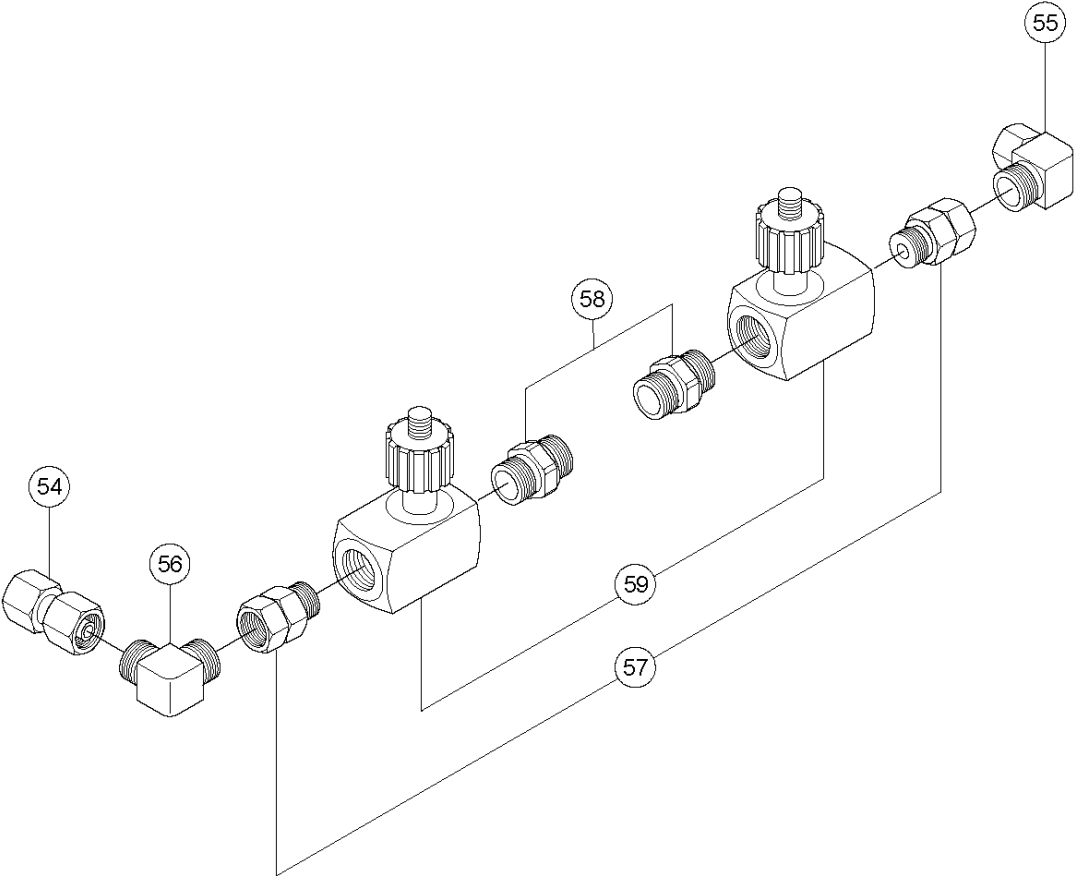


## ACCESSORIES

BMS 220ADB, 2022-04

Ref	Part No	Description	Remark	QTY KIT
1	535 37 16-01	SUPPORT	SUPPORT	1
2	533 85 85-01	CHISEL GUIDE	CHISEL GUIDE	1
3	533 86 56-01	CHISEL GUIDE	CHISEL GUIDE	1
4	535 63 89-01	TOOL	TOOL	1
5	533 12 80-01	CHISEL	CHISEL	1
6	534 61 82-01	BLADE	BLADE	1
7	534 61 83-01	BLADE	BLADE	1
8	534 61 85-01	BLADE	BLADE	1
9	534 61 89-01	BLADE	BLADE	1
10	534 61 91-01	BLADE	BLADE	1
11	534 77 32-01	BLADE	BLADE	1
12	534 77 33-01	BLADE	BLADE	1
13	534 77 37-01	BLADE	BLADE	1
14	534 77 39-01	BLADE	BLADE	1
15	534 77 41-01	BLADE	BLADE	1
16	534 82 55-01	BLADE	BLADE	1
17	534 82 61-01	BLADE	BLADE	1
18	533 83 05-01	BLADE	BLADE	1
19	535 25 55-01	HOLDER	HOLDER	1
20	533 09 03-02	BLADE HOLDER	BLADE HOLDER	1
21	533 49 56-02	BLADE HOLDER	BLADE HOLDER	1
22	533 11 03-02	TOOL	TOOL	1
23	534 32 93-01	BLADE HOLDER	BLADE HOLDER	1
24	533335602	TBD	BLADE HOLDER	1
25	534 77 43-01	TOOL	TOOL	1
26	534 90 13-01	BOX	BOX	1
27	534 90 17-01	TOOL KIT	TOOL KIT	1

**BMS 220ADB  
DRIVE WHEEL ADJUSTMENT SET**

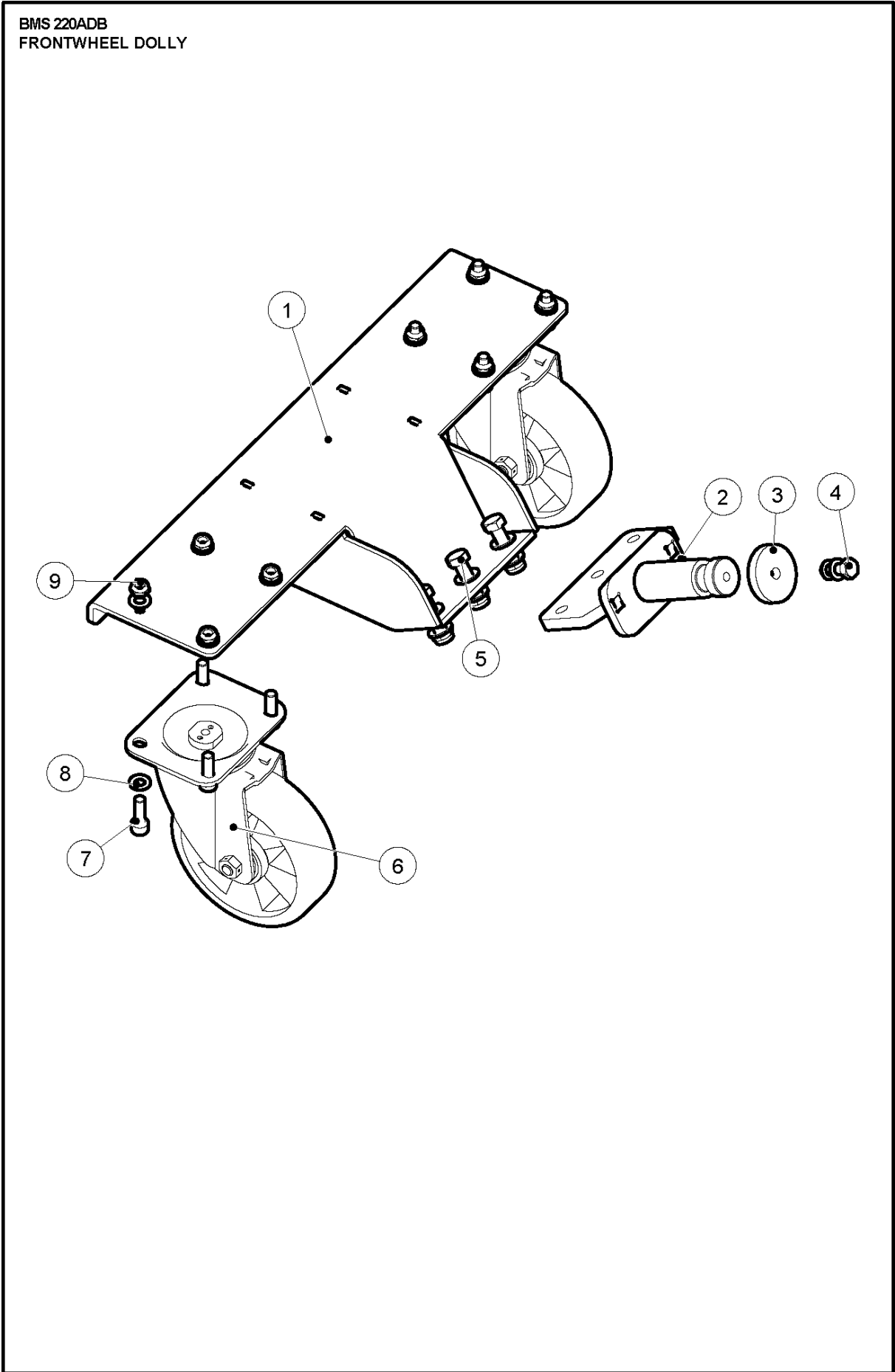




COUPLINGS

BMS 220ADB, 2022-04

Ref	Part No	Description	Remark	QTY KIT
54	536996801	TBD	COUPLING	1
55	536996901	TBD	COUPLING	1
56	536997001	TBD	COUPLING	1
57	536997101	TBD	COUPLING	2
58	535 35 86-01	COUPLING	COUPLING	2
59	533 25 30-01	THROTTLE	THROTTLE	2
60	533 87 94-01	VALVE	VALVE	1



## TROLLEY

BMS 220ADB, 2022-04

Ref	Part No	Description	Remark	QTY KIT
1	535 21 57-01	MOUNTING BRACKET	MOUNTING BRACKET	1
2	534 90 44-01	HOLDER	HOLDER	1
3	533 67 03-01	WASHER	WASHER	1
4	900 00 00-02	DUMMY PART	DUMMY PART	1
5	900 00 00-02	DUMMY PART	DUMMY PART	3
6	535 65 33-01	WHEEL	WHEEL	2
7	900 00 00-02	DUMMY PART	DUMMY PART	8
8	900 00 00-02	DUMMY PART	DUMMY PART	17
9	900 00 00-02	DUMMY PART	DUMMY PART	8
10	534 59 59-01	DOLLY	DOLLY	1